

THIS FITNESS AREA & EQUIPMENT IS  
DESIGNED FOR AGES 13+ YEARS

IT IS THE MANUFACTURERS OPINION AND  
INTENT THAT THE USE AND LAYOUT OF  
THESE COMPONENTS CONFORM WITH THE  
AMERICAN SOCIETY FOR TESTING AND  
MATERIALS (ASTM) STANDARD ASTM F3101

THE EQUIPMENT SHOWN IS TO BE  
CONSIDERED FITNESS EQUIPMENT ONLY.  
APPROPRIATE SIGNAGE INDICATING THIS IS  
STRONGLY RECOMMENDED. OUTDOOR FITNESS  
EQUIPMENT SHALL NOT BE PLACED WITHIN  
DEFINED CHILDREN'S PLAYGROUND AREAS AND  
SHALL BE SEPARATED FROM THE USE ZONES  
FOR PLAYGROUND EQUIPMENT BY FENCING,  
MOUNDS, PATHWAYS, LANDSCAPING OR OTHER  
BARRIERS

IT IS THE MANUFACTURERS OPINION THAT  
THIS PLAY AREA DOES CONFORM TO  
THE A.D.A. ACCESSIBILITY STANDARDS,  
ASSUMING AN ACCESSIBLE PROTECTIVE  
SURFACING IS PROVIDED, AS INDICATED, OR  
WITHIN THE ENTIRE USE ZONE.

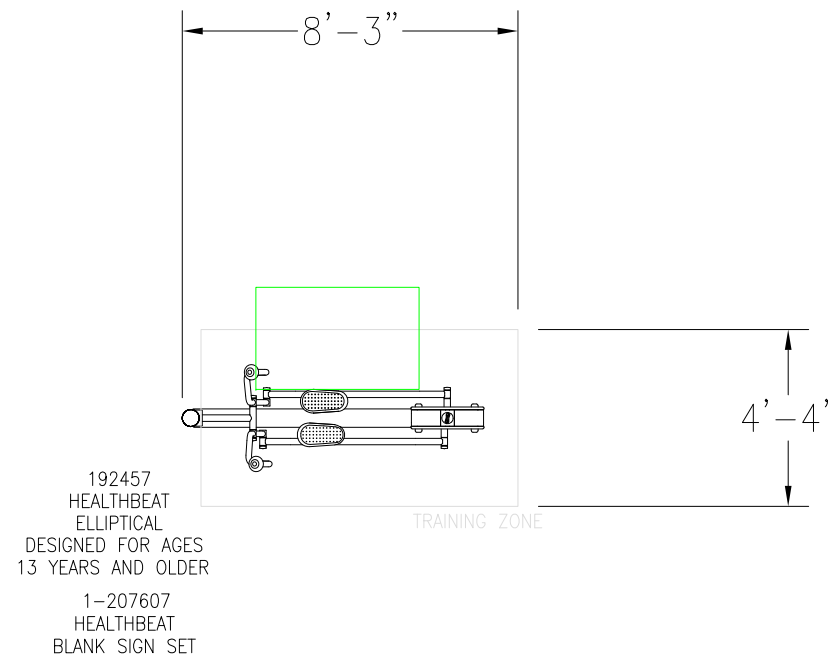
CHOOSE A PROTECTIVE SURFACING MATERIAL THAT  
HAS A CRITICAL HEIGHT VALUE TO MEET THE  
MAXIMUM FALL HEIGHT FOR THE EQUIPMENT (REF.  
ASTM F3101 STANDARD CONSUMER SAFETY  
PERFORMANCE SPECIFICATION FOR OUTDOOR FITNESS  
EQUIPMENT FOR PUBLIC USE, SECTION 7.16 CURRENT  
REVISION). THE SUBSURFACE MUST BE WELL  
DRAINED. IF THE SOIL DOES NOT DRAIN NATURALLY  
IT MUST BE TILED OR SLOPED 1/8" TO 1/4" PER  
FOOT TO A STORM SEWER OR A "FRENCH DRAIN".

THIS CONCEPTUAL PLAN WAS BASED ON  
INFORMATION AVAILABLE TO US. PRIOR TO  
CONSTRUCTION, DETAILED SITE INFORMATION  
INCLUDING SITE DIMENSIONS, TOPOGRAPHY  
EXISTING UTILITIES, SOIL CONDITIONS, AND  
DRAINAGE SOLUTIONS SHOULD BE OBTAINED,  
EVALUATED, & UTILIZED IN THE FINAL DESIGN.  
PLEASE VERIFY ALL DIMENSIONS OF PLAY  
AREA, SIZE, ORIENTATION, AND LOCATION OF  
ALL EXISTING UTILITIES, EQUIPMENT, AND  
SITE FURNISHINGS PRIOR TO ORDERING.

DESIGNED BY:

COPYRIGHT: 7/04/19  
LANDSCAPE STRUCTURES, INC.  
601 7th STREET SOUTH - P.O. BOX 198  
DELANO, MINNESOTA 55328  
PH: 1-800-328-0035 FAX: 1-763-972-6091

No.	Revision/Issue	Date

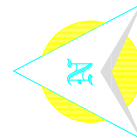
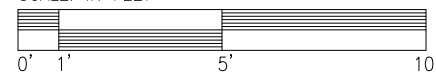


Freestanding Play  
(13+ years)

Max Fall Height: 20 inches

TOTAL SQUARE FOOTAGE  
175 SQ.FT.

SCALE: IN FEET



Design  
4241

Landscape  
Structures

Freestanding

4241

