



The play components identified on this plan are IPMA certified. (Unless model number is preceded with \*) The use and layout of these components conform to the requirements of ASTM F1487. To verify product certification, visit [www.ipma.org](http://www.ipma.org)

THIS PLAY AREA & PLAY EQUIPMENT IS DESIGNED FOR AGES 5-12 YEARS UNLESS OTHERWISE NOTED ON PLAN.

IT IS THE MANUFACTURERS OPINION THAT THIS PLAY AREA DOES CONFORM TO THE A.D.A. ACCESSIBILITY STANDARDS, ASSUMING AN ACCESSIBLE PROTECTIVE SURFACING IS PROVIDED, AS INDICATED, OR WITHIN THE ENTIRE USE ZONE.

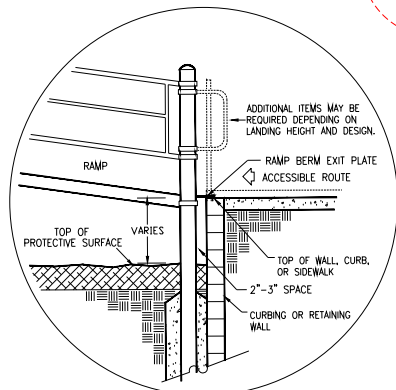
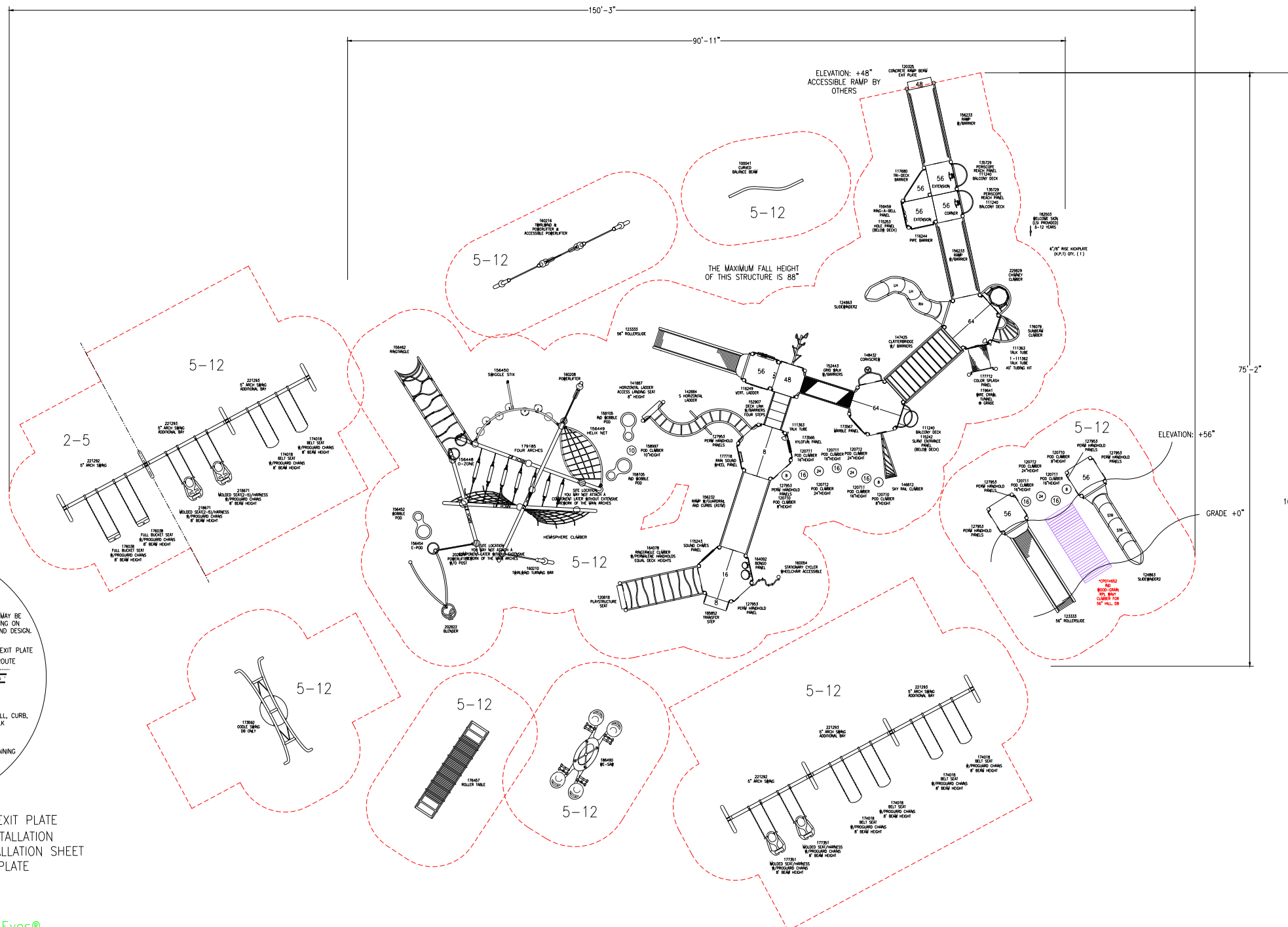
THIS CONCEPTUAL PLAN WAS BASED ON INFORMATION AVAILABLE TO US. PRIOR TO CONSTRUCTION, DETAILED SITE INFORMATION INCLUDING SITE DIMENSIONS, TOPOGRAPHY, EXISTING UTILITIES, SOIL CONDITIONS, AND DRAINAGE SOLUTIONS SHOULD BE OBTAINED, EVALUATED, & UTILIZED IN THE FINAL DESIGN. PLEASE VERIFY ALL DIMENSIONS OF PLAY AREA, SIZE, ORIENTATION, AND LOCATION OF ALL EXISTING UTILITIES, EQUIPMENT, AND SITE FURNISHINGS PRIOR TO ORDERING. SLIDES SHOULD NOT FACE THE HOT AFTERNOON SUN.

CHOOSE A PROTECTIVE SURFACING MATERIAL THAT HAS A CRITICAL HEIGHT VALUE TO MEET THE MAXIMUM FALL HEIGHT FOR THE EQUIPMENT (REF. ASTM F1487 STANDARD CONSUMER SAFETY PERFORMANCE SPECIFICATION FOR PLAYGROUND EQUIPMENT FOR PUBLIC USE, SECTION 8 CURRENT REVISION). THE SUBSURFACE MUST BE WELL DRAINED. IF THE SOIL DOES NOT DRAIN NATURALLY IT MUST BE TILED OR SLOPED 1/8" TO 1/4" PER FOOT TO A STORM SEWER OR A "FRENCH DRAIN".

DESIGNED BY:

COPYRIGHT: 10/12/2021  
 LANDSCAPE STRUCTURES, INC.  
 601 7th STREET SOUTH - P.O. BOX 198  
 DELANO, MINNESOTA 55328  
 PH: 1-800-328-0035 FAX: 1-763-972-6091

Date Previous Drawing # Initials



SUGGESTED ELEVATED RAMP BERM EXIT PLATE  
 24" PLUS DECK TO GRADE/DB INSTALLATION  
 REFER TO RAMP BERM EXIT PLATE INSTALLATION SHEET  
 SEE PLAN FOR ELEVATION OF PLATE

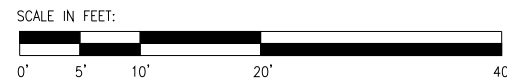
5-12 PlayBooster® and Evos®  
 (5-12 years)  
 Max Fall Height: 96 inches

|  |    |          |    |
|--|----|----------|----|
| TOTAL ELEVATED PLAY COMPONENTS                   | 24 |          |    |
| TOTAL ELEVATED COMPONENTS ACCESSIBLE BY RAMP     | 7  | REQUIRED | 6  |
| TOTAL ELEVATED COMPONENTS ACCESSIBLE BY TRANSFER | 17 | REQUIRED | 6  |
| TOTAL ACCESSIBLE GROUND LEVEL COMPONENTS SHOWN   | 46 | REQUIRED | 8  |
| TOTAL DIFFERENT TYPES OF GROUND LEVEL COMPONENTS | 20 | REQUIRED | 20 |

2-5

|  |   |          |   |
|--|---|----------|---|
| TOTAL ELEVATED PLAY COMPONENTS                   | 0 |          |   |
| TOTAL ELEVATED COMPONENTS ACCESSIBLE BY RAMP     | 0 | REQUIRED | 0 |
| TOTAL ELEVATED COMPONENTS ACCESSIBLE BY TRANSFER | 0 | REQUIRED | 0 |
| TOTAL ACCESSIBLE GROUND LEVEL COMPONENTS SHOWN   | 2 | REQUIRED | 0 |
| TOTAL DIFFERENT TYPES OF GROUND LEVEL COMPONENTS | 1 | REQUIRED | 1 |

Estimated manufacturing time:  
 8 weeks from the time of  
 LSI order acceptance, or receipt of  
 SkyWays release of fabrication  
 form if applicable.



Mayor Thomas M Menino Park

Landscape Structures

SYSTEM TYPE:  
 PlayBooster/Evos

DRAWING #:  
 1158286-01-01

