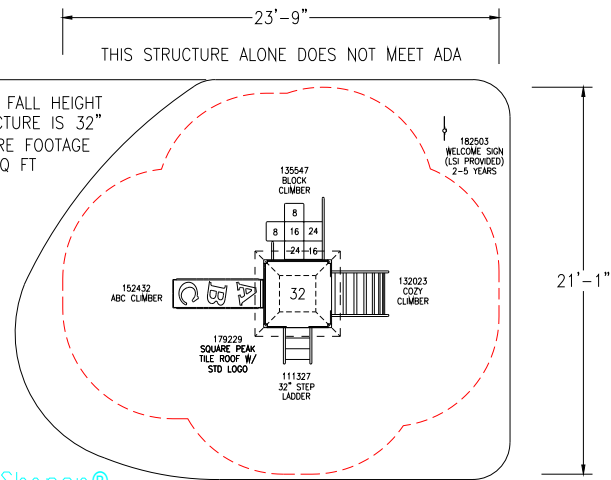


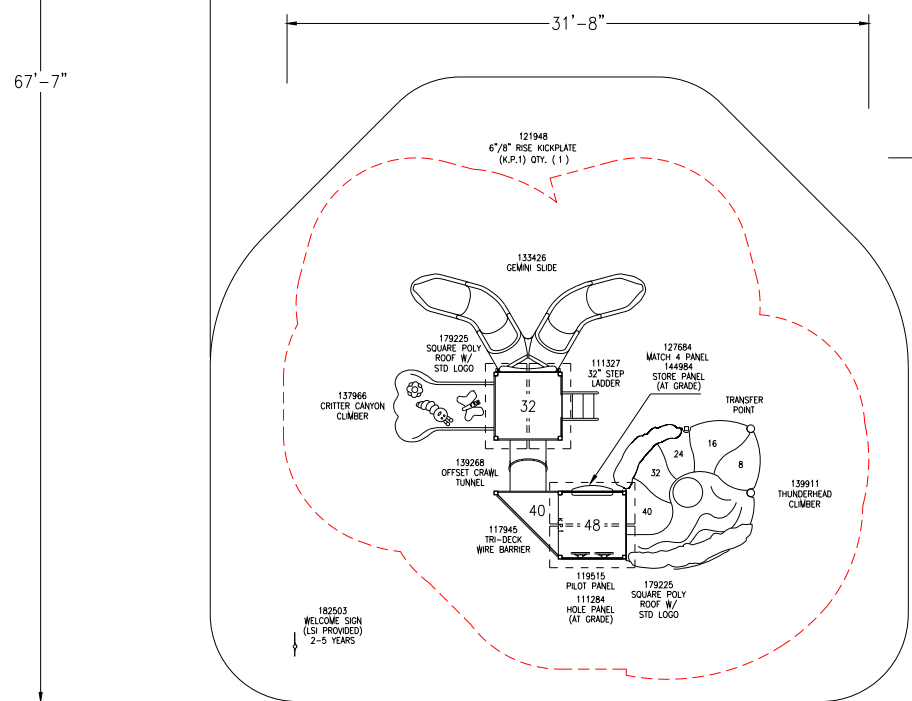
TOTAL SQUARE FOOTAGE
472 SQ FT

PlayShaper®
(2-5 years)

THIS STRUCTURE ALONE DOES NOT MEET ADA
THE MAXIMUM FALL HEIGHT
OF THIS STRUCTURE IS 32"
TOTAL SQUARE FOOTAGE
519 SQ FT

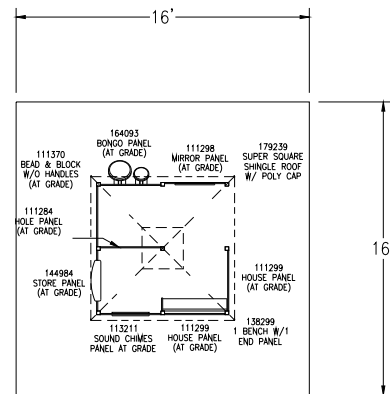


PlayShaper®
(2-5 years) (2)
Max Fall Height: 32 inches

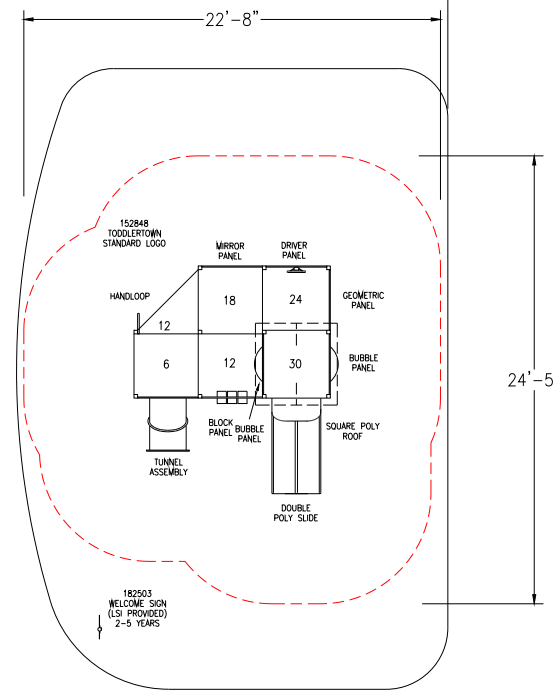


THE MAXIMUM FALL HEIGHT
OF THIS STRUCTURE IS 48"
TOTAL SQUARE FOOTAGE
1144 SQ FT

PlayShaper®
(2-5 years) (4)
Max Fall Height: 48 inches



TOTAL SQUARE FOOTAGE
256 SQ FT
PlayShaper®
(2-5 years) (3)



THE MAXIMUM FALL HEIGHT
OF THIS STRUCTURE IS 30"
TOTAL SQUARE FOOTAGE
748 SQ FT
Freestanding Play
(2-5 years)
Max Fall Height: 30 inches

TOTAL ELEVATED PLAY COMPONENTS	17		
TOTAL ELEVATED COMPONENTS ACCESSIBLE BY RAMP	0	REQUIRED	0
TOTAL ELEVATED COMPONENTS ACCESSIBLE BY TRANSFER	13	REQUIRED	9
TOTAL ACCESSIBLE GROUND LEVEL COMPONENTS SHOWN	14	REQUIRED	6
TOTAL DIFFERENT TYPES OF GROUND LEVEL COMPONENTS	10	REQUIRED	10

landscape
structures



The play components identified on this plan are IPEMA certified. (Unless model number is preceded with *) The use and layout of these components conform to the requirements of ASTM F1487. To verify product certification, visit www.ipema.org

THIS PLAY AREA & PLAY EQUIPMENT IS DESIGNED FOR AGES 2-5 YEARS UNLESS OTHERWISE NOTED ON PLAN.

IT IS THE MANUFACTURERS OPINION THAT THIS PLAY AREA DOES CONFORM TO THE A.D.A. ACCESSIBILITY STANDARDS, ASSUMING AN ACCESSIBLE PROTECTIVE SURFACING IS PROVIDED, AS INDICATED, OR WITHIN THE ENTIRE USE ZONE.

THIS CONCEPTUAL PLAN WAS BASED ON INFORMATION AVAILABLE TO US. PRIOR TO CONSTRUCTION, DETAILED SITE INFORMATION INCLUDING SITE DIMENSIONS, TOPOGRAPHY, EXISTING UTILITIES, SOIL CONDITIONS, AND DRAINAGE SOLUTIONS SHOULD BE OBTAINED, EVALUATED, & UTILIZED IN THE FINAL DESIGN. PLEASE VERIFY ALL DIMENSIONS OF PLAY AREA, SIZE, ORIENTATION, AND LOCATION OF ALL EXISTING UTILITIES, EQUIPMENT, AND SITE FURNISHINGS PRIOR TO ORDERING. SLIDES SHOULD NOT FACE THE HOT AFTERNOON SUN.

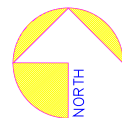
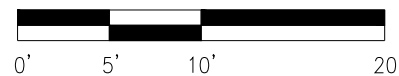
CHOOSE A PROTECTIVE SURFACING MATERIAL THAT HAS A CRITICAL HEIGHT VALUE TO MEET THE MAXIMUM FALL HEIGHT FOR THE EQUIPMENT (REF. ASTM F1487 STANDARD CONSUMER SAFETY PERFORMANCE SPECIFICATION FOR PLAYGROUND EQUIPMENT FOR PUBLIC USE, SECTION 8 CURRENT REVISION). THE SUBSURFACE MUST BE WELL DRAINED. IF THE SOIL DOES NOT DRAIN NATURALLY IT MUST BE TILED OR SLOPED 1/8" TO 1/4" PER FOOT TO A STORM SEWER OR A "TRENCH DRAIN".

DESIGNED BY:

COPYRIGHT: 9/15/21
LANDSCAPE STRUCTURES, INC.
601 7th STREET SOUTH - P.O. BOX 198
DELANO, MINNESOTA 55328
PH: 1-800-328-0035 FAX: 1-763-972-6091

Date Previous Drawing # Initials

SCALE IN FEET:



Crested Butte
Child Development Center

Landscape
Structures

SYSTEM TYPE:
PlayShaper

DRAWING #:
1157852-01-01

