

landscape structures



The play components identified on this plan are IPEMA certified. (Unless otherwise noted) The use and layout of these components conform to the Canadian Standards Association (CSA) Standard CAN/CSA-2614. To verify product certification, visit www.ipema.org.

THIS PLAY AREA & PLAY EQUIPMENT IS DESIGNED FOR AGES 5-12 YEARS UNLESS OTHERWISE NOTED ON PLAN.

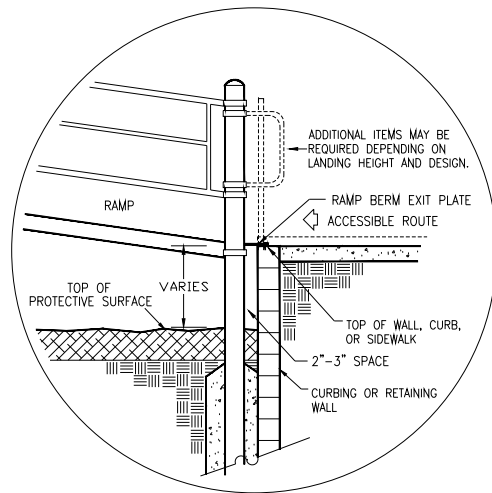
THIS CONCEPTUAL PLAN WAS BASED ON INFORMATION AVAILABLE TO US. PRIOR TO CONSTRUCTION, DETAILED SITE INFORMATION INCLUDING SITE DIMENSIONS, TOPOGRAPHY, EXISTING UTILITIES, SOIL CONDITIONS, AND DRAINAGE SOLUTIONS SHOULD BE OBTAINED, EVALUATED, & UTILIZED IN THE FINAL DESIGN. PLEASE VERIFY ALL DIMENSIONS OF PLAY AREA, SIZE, ORIENTATION, AND LOCATION OF ALL EXISTING UTILITIES, EQUIPMENT, AND SITE FURNISHINGS PRIOR TO ORDERING. SLIDES SHOULD NOT FACE THE HOT AFTERNOON SUN.

CHOOSE A PROTECTIVE SURFACING MATERIAL THAT HAS A CRITICAL HEIGHT VALUE TO MEET THE MAXIMUM FALL HEIGHT FOR THE EQUIPMENT (REF. ASTM F1487 STANDARD CONSUMER SAFETY PERFORMANCE SPECIFICATION FOR PLAYGROUND EQUIPMENT FOR PUBLIC USE, SECTION 8 CURRENT REVISION). THE SUBSURFACE MUST BE WELL DRAINED. IF THE SOIL DOES NOT DRAIN NATURALLY IT MUST BE TILED OR SLOPED 1/8" TO 1/4" PER FOOT TO A STORM SEWER OR A "FRENCH DRAIN".

DESIGNED BY:

COPYRIGHT: 11/19/19
LANDSCAPE STRUCTURES, INC.
601 7th STREET SOUTH - P.O. BOX 198
DELANO, MINNESOTA 55328
PH: 1-800-328-0035 FAX: 1-763-972-6091

Date	Previous Drawing #	Initials

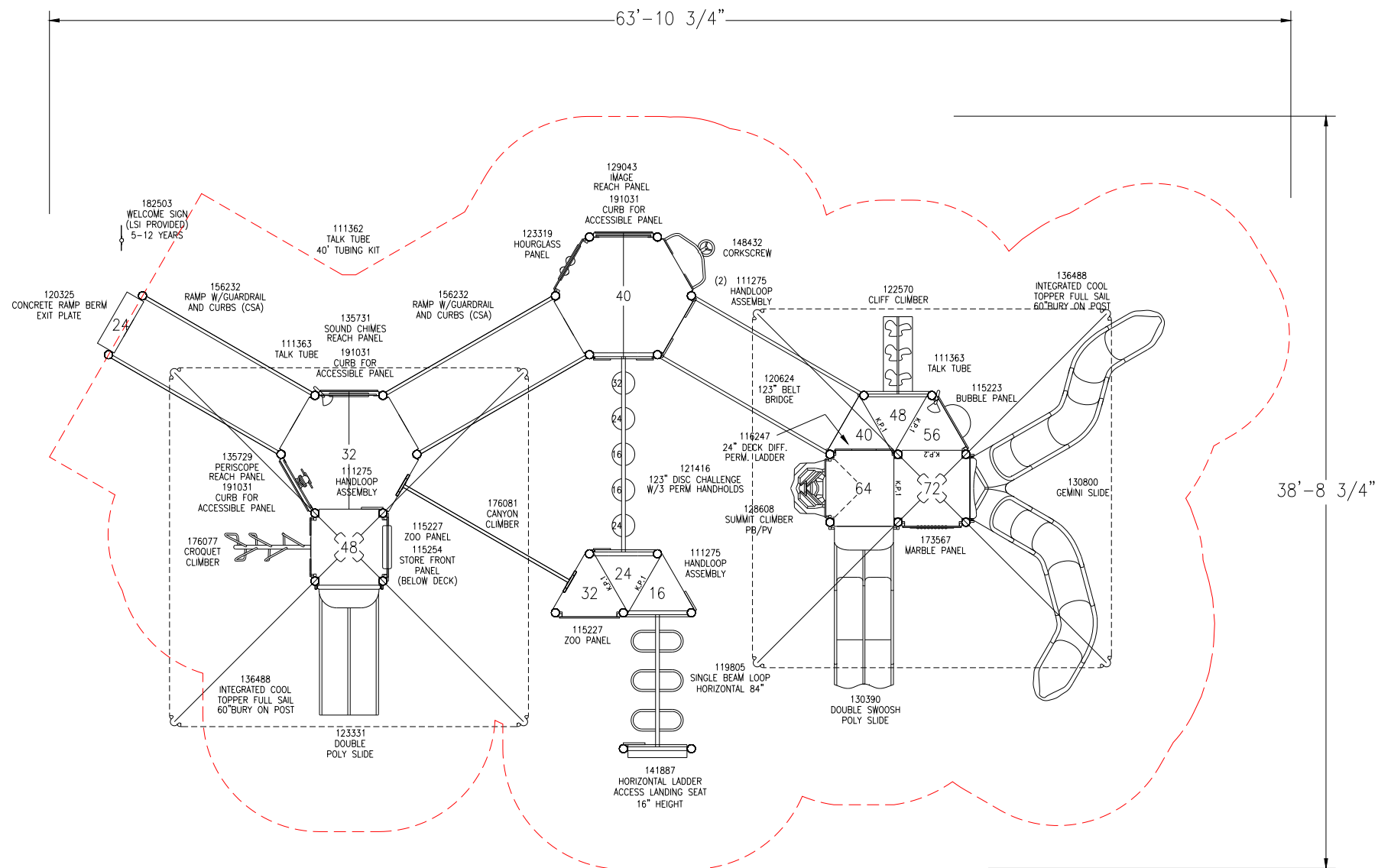


SUGGESTED ELEVATED RAMP BERM EXIT PLATE 24" PLUS DECK TO GRADE/DB INSTALLATION REFER TO RAMP BERM EXIT PLATE INSTALLATION SHEET SEE PLAN FOR ELEVATION OF PLATE

PlayBooster® (5-12 years)

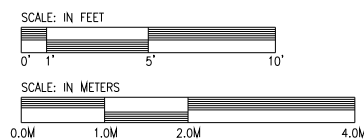
Max Fall Height: 79 inches

TOTAL SQUARE FOOTAGE 1806 SQ.FT.



NOTE: THE COOLTOPPER FULL SAIL IS NOT IPEMA CERTIFIED

61987RIBSEKIOBREPAME (K.P.) QTY. (5)



Design 1293

Landscape Structures

SYSTEM TYPE: Playbooster

DRAWING #: 1293