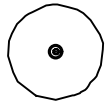
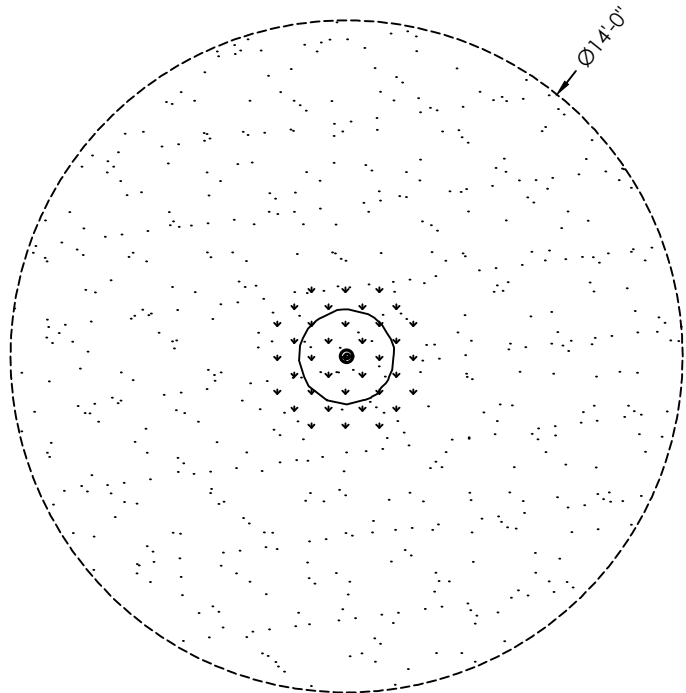


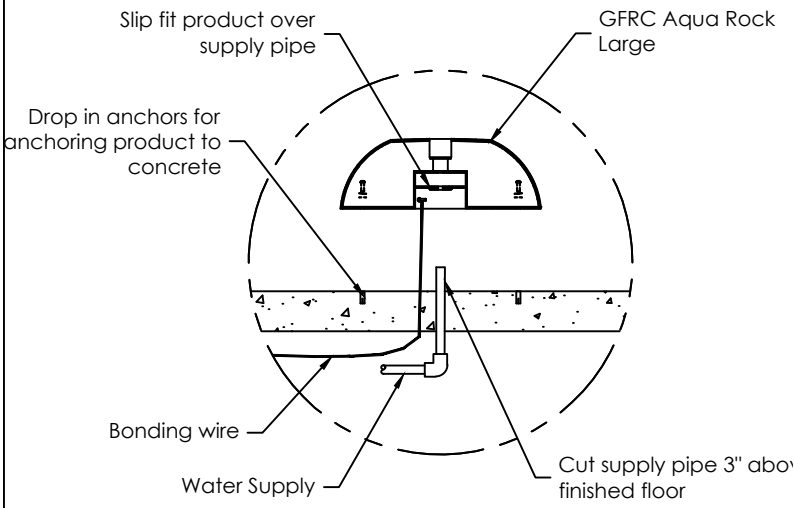
TOP VIEW



SPLASH ZONE



Connection Detail



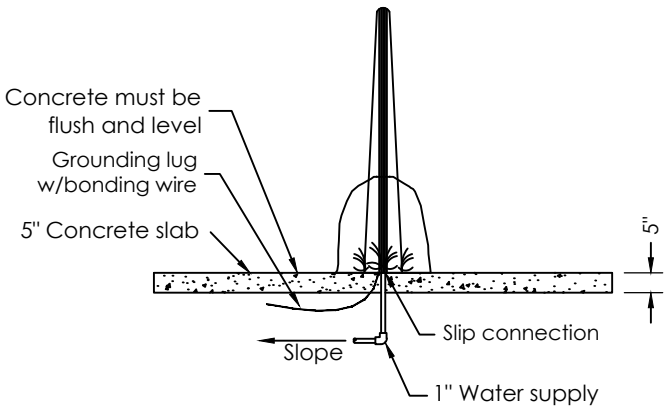
Splash Zone-Not to Scale

Splash Zone Notes:  
 Splash zones are approximate, actual splash may vary based on various environmental conditions, flow rates, slope of splash pad and submergence depth.

Construction Details

Built with internal stainless steel armature, Solid pour GFRc concrete. Theme painted and Clear Coat. Surface mount to concrete pad. Included grounding lug and mounting anchors.

Elevation



Design Details

Aqua Rock Large - Approximately Ø24" x 24" H  
 Single Mini Pillar spray from center

DATA

Flow Rate: 10 GPM  
 Pressure: 5 PSI  
 Supply Line: 1" Pipe

\*\*Not for Construction\*\*

1101 McKinley Parkway  
 Delano, MN 55328  
 888-438-6574  
 763-972-5200  
 aquatix.playlsi.com

<b>AQUA ROCK LARGE</b>			
DRAWN BY	P.J.	SCALE	1/4" = 1'-0"
REVISION LETTER	NCS	REVISION LETTER	B
DATE	5/17/23	REVISION DATE	2/10/2025

This drawing is issued in confidence for engineering information only. This drawing shall remain the property of Aquatix and may not be reproduced, disclosed to a third party, or used to manufacture anything without direct written permission from Aquatix. Unauthorized use shall entitle Aquatix to all damages caused by such user including preparation charges, lost profits, damage to reputation and attorney's fees.