

NOTES

1. Valve must be installed on supply line to regulate flow.
2. Concrete mounting surface for structure installation needs to be level and flat.
3. Supply line is based on the designated flow rates for structure.
4. Underground plumbing to be designed for winterization.
5. Consult local electrical inspector for grounding.
6. Concrete to be rated for 4000 psi minimum before installing structure. Approx. 28 days of curing to reach rate.
7. Product may require a strainer on the water feed line. Consult with manufacturer.
8. Product specifications are subject to change.

Splash Zone-Not to Scale

Splash Zone Notes:  
 Splash zones are approximate, actual splash may vary based on various environmental conditions, flow rates, slope of splash pad, submergence depth and wind.

PRODUCT OPTIONS

Structure:

Stainless Steel Fabrication.  
 (see specification for details)

Fiberglass Fabrication  
 (see specification for details)

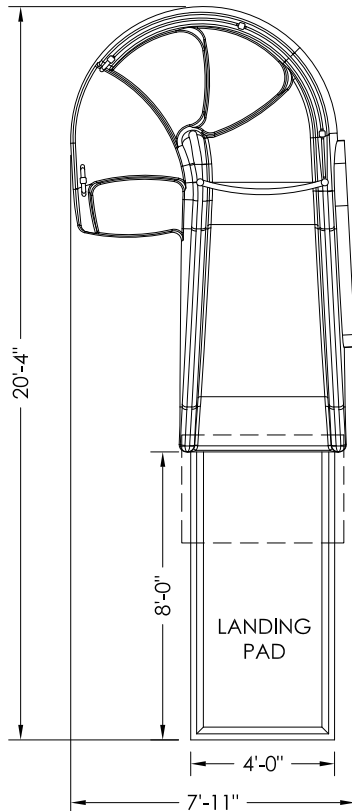
Acrylic Accents  
 (see specification for details)

Slide Height  
 40"

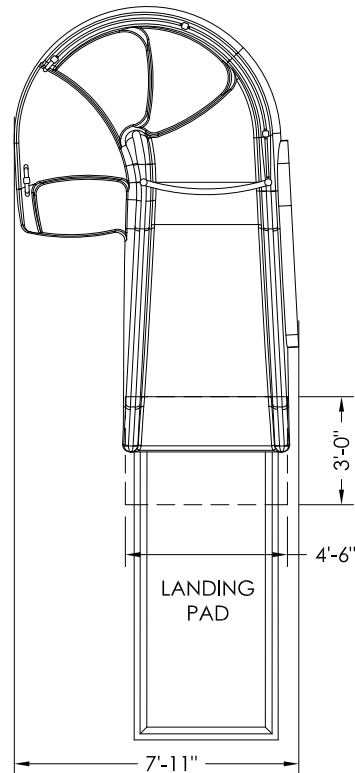
DATA

Flow Range: 10 GPM  
 Pressure: 4 PSI  
 Supply Line: 1/2" Supply Line  
 Installation: Mount to Concrete

DIMENSIONS



SPLASH ZONE



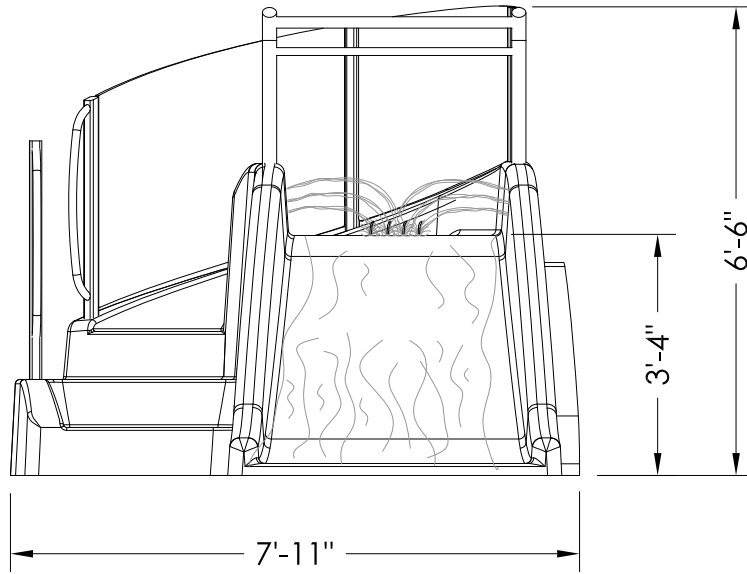
1101 McKinley Parkway  
 Delano, MN 55328  
 888-438-6574  
 763-972-5200  
 aquatix.playlsi.com

NAUTILUS 1

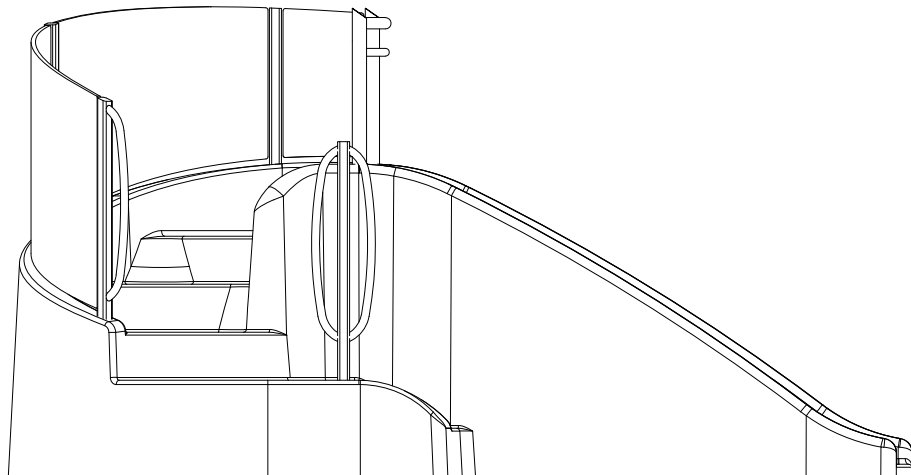
DRAWN BY	PJ	SCALE	3/16" = 1'-0"	DATE	1/26/22
REVISED BY	DAB	REVISION LETTER	B	REVISION DATE	1/29/25

This drawing is issued in confidence for engineering information only. This drawing shall remain the property of Aquatix and may not be reproduced, disclosed to a third party, or used to manufacture anything without direct written permission from Aquatix. Unauthorized use shall entitle Aquatix to all damages caused by such user including preparation charges, lost profits, damage to reputation and attorney's fees.

FRONT VIEW



SIDE VIEW



NAUTILUS 1  
ELEVATION DIMENSIONS

DRAWN BY	PJ	SCALE	3/16" = 1'-0"	DATE	1/26/22
REVISED BY	DAB	REVISION LETTER	B	REVISION DATE	1/29/25

This drawing is issued in confidence for engineering information only. This drawing shall remain the property of Aquatix and may not be reproduced, disclosed to a third party, or used to manufacture anything without direct written permission from Aquatix. Unauthorized use shall entitle Aquatix to all damages caused by such user including preparation charges, lost profits, damage to reputation and attorney's fees.



1101 McKinley Parkway  
Delano, MN 55328  
888-438-6574  
763-972-5200  
aquatix.playlsi.com